

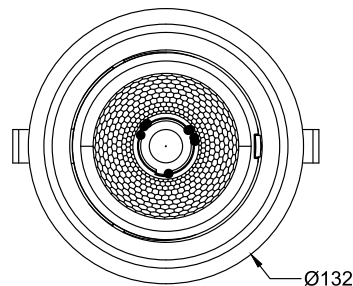
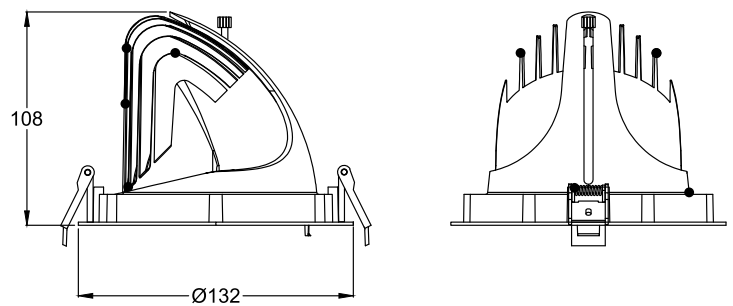
Wallwasher Light Housing



Product Code :-SLI-HRZ-27



Product Name	Harris Recess mounted
Housing	Aluminum Die-Casting OB Housing Reflector Fixing Glass Ring
Mounting type	Recessed
Powder Coating	Black / White / Customized as per requirement
Reflector	P.C. Reflector with Tested from NEBL Gov. Approved.
ABS / Polycarbonate	COB Holder & Reflector with cover (PC)
Hardware	SS/Zinc/ Nickel plated MS (SS 304 as per Customer Requirement)
Packing	Corrugated as per Customer Requirement



Cutout 123mm

Beam Angle	24°, 40°, 60°
Reflector Dia & Type	75 MM Darkoo type
COB Holder	Available 1818,1919,2024,2525
Suitable for Watage	20W To 27W
Thermal tested report	66°C for 27W

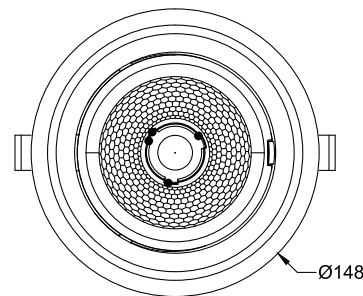
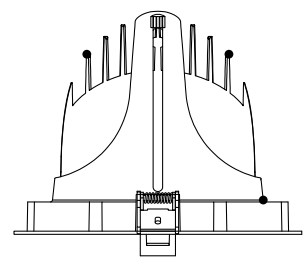
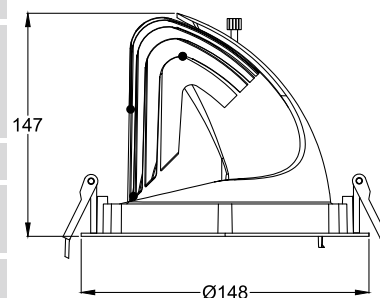
Wallwasher Light Housing



Product Code :- SLI-HRZ-36



Product Name	Harris Recess mounted
Housing	Aluminum Die-Casting OB Housing Reflector Fixing Glass Ring
Mounting type	Recessed
Powder Coating	Black / White / Customized as per requirement
Reflector	P.C. Reflector with Tested from NEBL Gov. Approved.
ABS / Polycarbonate	COB Holder & Reflector with cover (PC)
Hardware	SS/Zinc/ Nickel plated MS (SS 304 as per Customer Requirement)
Packing	Corrugated as per Customer Requirement



Cutout 139mm

Beam Angle	24°, 40°, 60°
Reflector Dia & Type	85 MM Darkoo type
COB Holder	Available 1818,1919,2024,2525
Suitable for Watage	30W To 36W
Thermal tested report	66°C for 27W

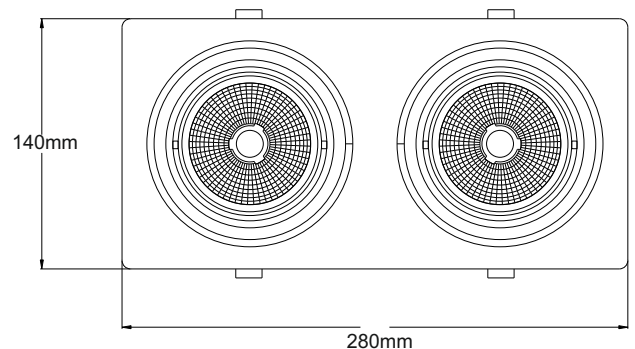
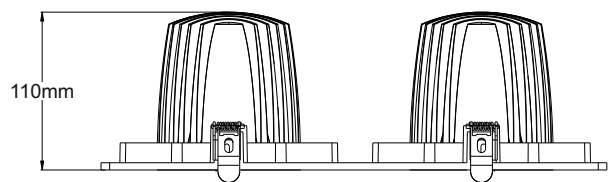
Down Light Housing

Product Code :- SLI-MDMZ-27



Product Name	MARS 2X27 (MEZZO) Recess mounted
Housing	Aluminum Die casted cob Housing – Frame-- Glass Ring also
Mounting type	Recessed
Powder Coating	Black / White / Customized as per requirement
Reflector	P.C. Reflector with Tested from NEBL Gov. Approved.
ABS / Polycarbonate	COB Holder & Reflector with cover (PC)
Hardware	SS/Zinc/ Nickel plated MS (SS 304 as per Customer Requirement)
Packing	Corrugated as per Customer Requirement

Beam Angle	24°, 40°, 60°
Reflector Dia & Type	75 MM Darkoo type
COB Holder	Available 1818,1919,2024,2525
Suitable for Watage	20W To 27W
Thermal tested report	66°C for 27W



Cut Out : 260mm x 132mm

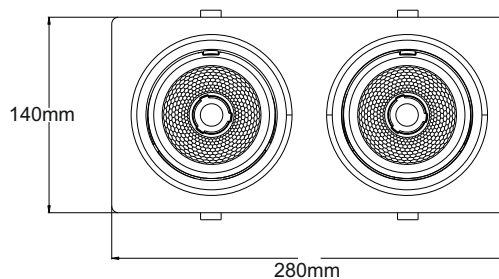
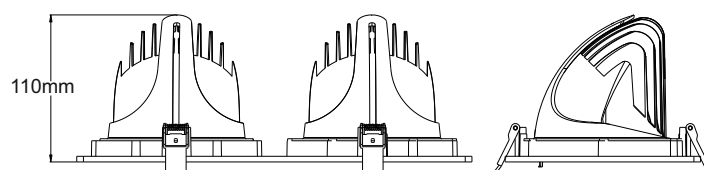
Zoom Light Housing



Product Code :- SLI-MDHRZ-27



Product Name	MARS 2X27 (HARRIS) Recess mounted
Housing	Aluminum Die casted cob Housing – Frame-- Glass Ring also
Mounting ype	Recessed
Powder Coating	Black / White / Customized as per requirement
Reflector	P.C. Reflector with Tested from NEBL Gov. Approved.
ABS / Polycarbonate	COB Holder & Reflector with cover (PC)
Hardware	SS/Zinc/ Nickel plated MS (SS 304 as per Customer Requirement)
Packing	Corrugated as per Customer Requirement



Cut Out : 260mm x 132mm

Beam Angle	24°, 40°, 60°
Reflector Dia & Type	75 MM Darkoo type
COB Holder	Available 1818,1919,2024,2525
Suitable for Watage	20W To 27W
Thermal tested report	66°C for 27W

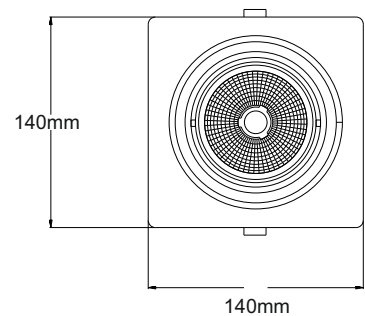
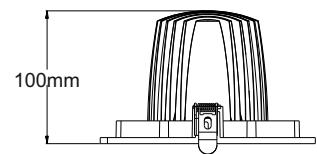
Down Light Housing

Product Code :- SLI-MSMZ-27



Product Name	MARS 27 (MEZZO) Recess mounted
Housing	Aluminum Die casted cob Housing – Frame-- Glass Ring also
Mounting ype	Recessed
Powder Coating	Black / White / Customized as per requirement
Reflector	P.C. Reflector with Tested from NEBL Gov. Approved.
ABS / Polycarbonate	COB Holder & Reflector with cover (PC)
Hardware	SS/Zinc/ Nickel plated MS (SS 304 as per Customer Requirement)
Packing	Corrugated as per Customer Requirement

Beam Angle	24°, 40°, 60°
Reflector Dia & Type	75 MM Darkoo type
COB Holder	Available 1818,1919,2024,2525
Suitable for Watage	20W To 27W
Thermal tested report	66°C for 27W



Cut Out : 132mm x 132mm

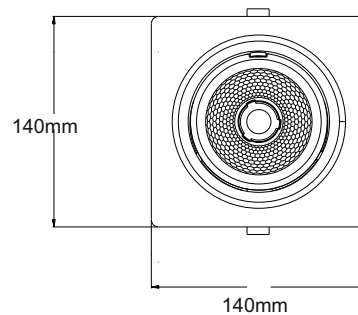
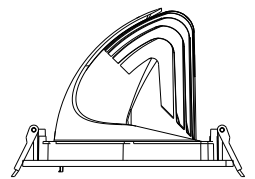
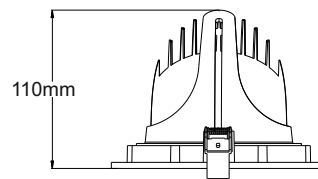
Zoom Light Housing

Product Code :- SLI-MSHRZ-27



Product Name	MARS 27 (HARRIS) Recess mounted
Housing	Aluminum Die casted cob Housing – Frame-- Glass Ring also
Mounting type	Recessed
Powder Coating	Black / White / Customized as per requirement
Reflector	P.C. Reflector with Tested from NEBL Gov. Approved.
ABS / Polycarbonate	COB Holder & Reflector with cover (PC)
Hardware	SS/Zinc/ Nickel plated MS (SS 304 as per Customer Requirement)
Packing	Corrugated as per Customer Requirement

Beam Angle	24°, 40°, 60°
Reflector Dia & Type	75 MM Darkoo type
COB Holder	Available 1818,1919,2024,2525
Suitable for Watage	20W To 27W
Thermal tested report	66°C for 27W



Cut Out : 132mm x 132mm

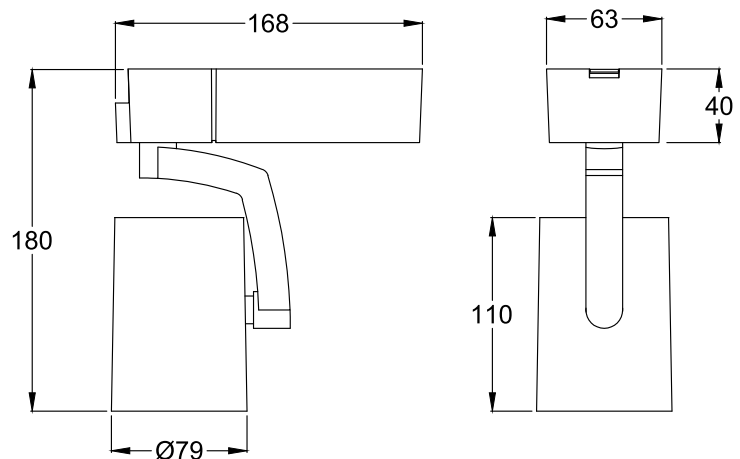
Track Light Housing



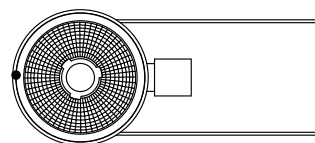
Product Code :-SLI-TCHL-27



Product Name	Trance Horizontal Track Mounted
Housing	Aluminum Die-Casting OB Housing Driver Box & Arm Knob, Reflector fixing ring PC.
Power Adapter Type	2 Wire / 3 Wire
Powder Coating	Black / White / Customized as per requirement
Reflector	P.C. Reflector with Tested from NEBL Gov. Approved.
ABS / Polycarbonate	COB Holder & Reflector with cover (PC)
Hardware	SS/Zinc/ Nickel plated MS (SS 304 as per Customer Requirement)
Packing	Corrugated as per Customer Requirement



Beam Angle	40°, 60°
Reflector Dia & Type	69mm k Darkoo Type
COB Holder	1818, 1919, 2024, 2525
Suitable for Watage	24W To 30W
Thermal tested report	69°C for 30W



Track Light Housing

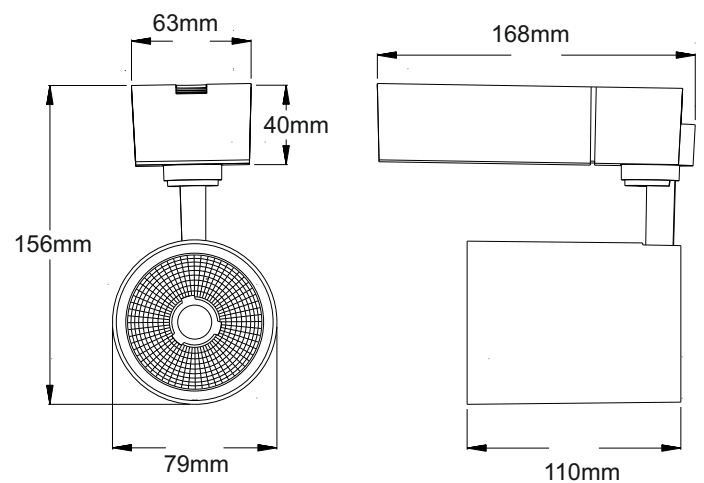


Product Code :-SLI-TCHI-27



Product Name	Trance Horizontal Track Mounted
Housing	Aluminum Die-Casting OB Housing Driver Box & Arm Knob, Reflector fixing ring PC.
Power Adapter Type	2 Wire / 3 Wire
Powder Coating	Black / White / Customized as per requirement
Reflector	P.C. Reflector with Tested from NEBL Gov. Approved.
ABS / Polycarbonate	COB Holder & Reflector with cover (PC)
Hardware	SS/Zinc/ Nickel plated MS (SS 304 as per Customer Requirement)
Packing	Corrugated as per Customer Requirement

Beam Angle	40°, 60°
Reflector Dia & Type	69mm k Darkoo Type
COB Holder	1818, 1919, 2024, 2525
Suitable for Watage	24W To 30W
Thermal tested report	69°C for 30W



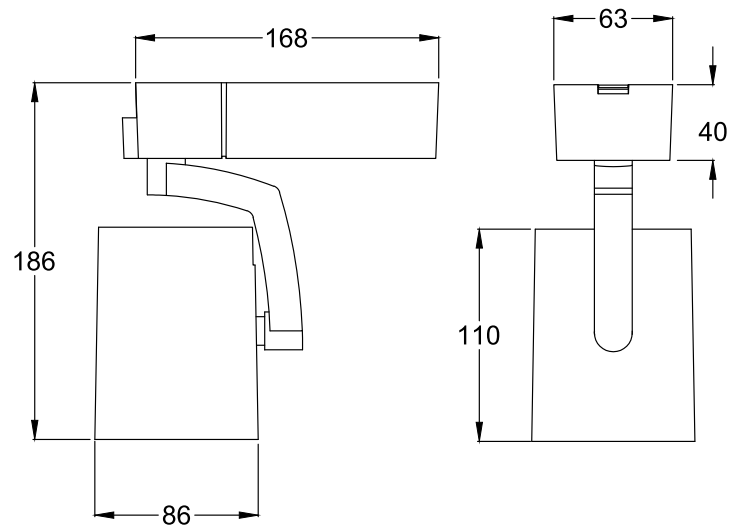
Track Light Housing



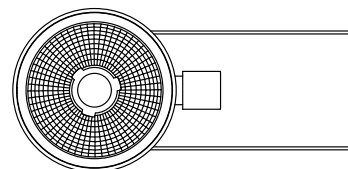
Product Code :-SLI-TCHL-36



Product Name	Trance Horizontal Track Mounted
Housing	Aluminum Die-Casting OB Housing Driver Box & Arm Knob, Reflector fixing ring PC.
Power Adapter Type	2 Wire / 3 Wire
Powder Coating	Black / White / Customized as per requirement
Reflector	P.C. Reflector with Tested from NEBL Gov. Approved.
ABS / Polycarbonate	COB Holder & Reflector with cover (PC)
Hardware	SS/Zinc/ Nickel plated MS (SS 304 as per Customer Requirement)
Packing	Corrugated as per Customer Requirement



Beam Angle	40°, 60°
Reflector Dia & Type	75mm k Darkoo Type (H-45mm)
COB Holder	1818, 1919, 2024, 2525
Suitable for Watage	36W To 40W
Thermal tested report	63°C for 40W



Track Light Housing

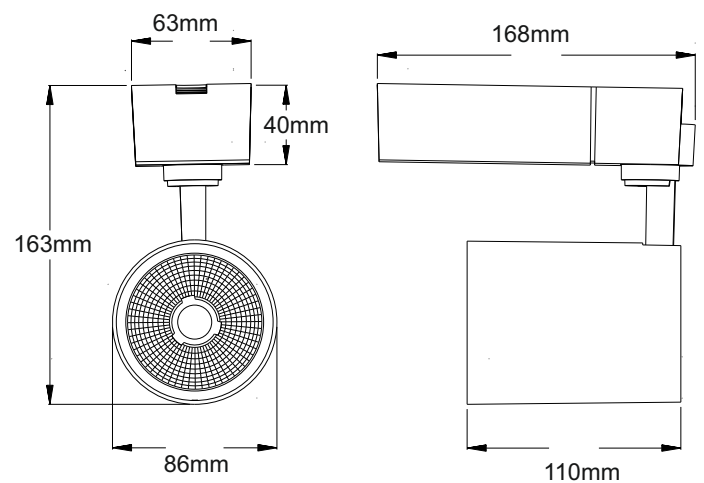


Product Code :-SLI-TCHI-36



Product Name	Trance Horizontal Track Mounted
Housing	Aluminum Die-Casting OB Housing Driver Box & Arm Knob, Reflector fixing ring PC.
Power Adapter Type	2 Wire / 3 Wire
Powder Coating	Black / White / Customized as per requirement
Reflector	P.C. Reflector with Tested from NEBL Gov. Approved.
ABS / Polycarbonate	COB Holder & Reflector with cover (PC)
Hardware	SS/Zinc/ Nickel plated MS (SS 304 as per Customer Requirement)
Packing	Corrugated as per Customer Requirement

Beam Angle	40°, 60°
Reflector Dia & Type	75mm k Darkoo Type
COB Holder	1818, 1919, 2024, 2525
Suitable for Watage	36W To 40W
Thermal tested report	63°C for 30W



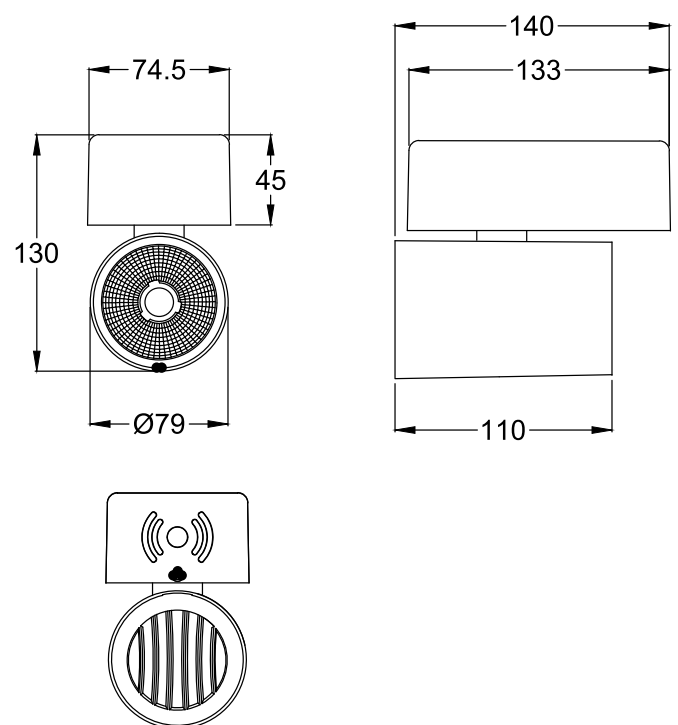
Track Light Housing



Product Code :-SLI-TCV-27



Product Name	Trance Vertical Track Mounted
Housing	Aluminum Die-Casting OB Housing Driver Box & Knob, Reflector fixing ring PC.
Power Adapter Type	2 Wire / 3 Wire
Powder Coating	Black / White / Customized as per requirement
Reflector	P.C. Reflector with Tested from NEBL Gov. Approved.
ABS / Polycarbonate	COB Holder & Reflector with cover (PC)
Hardware	SS/Zinc/ Nickel plated MS (SS 304 as per Customer Requirement)
Packing	Corrugated as per Customer Requirement



Beam Angle	40°, 60°
Reflector Dia & Type	69mm k Darkoo Type
COB Holder	1818, 1919, 2024, 2525
Suitable for Watage	24W To 30W
Thermal tested report	68°C for 30W

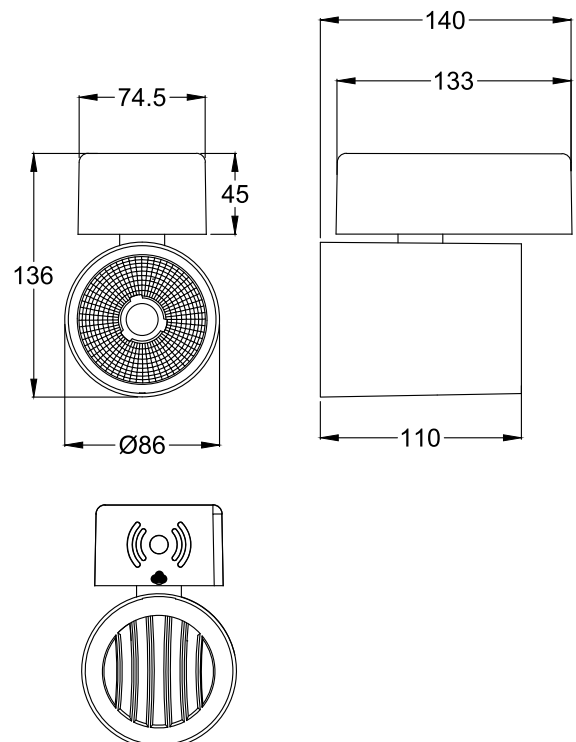
Track Light Housing



Product Code :-SLI-TCV-36



Product Name	Mezzo Vertical Track Mounted
Housing	Aluminum Die-Casting OB Housing Driver Box & Knob, Reflector fixing ring PC.
Power Adapter Type	2 Wire / 3 Wire
Powder Coating	Black / White / Customized as per requirement
Reflector	P.C. Reflector with Tested from NEBL Gov. Approved.
ABS / Polycarbonate	COB Holder & Reflector with cover (PC)
Hardware	SS/Zinc/ Nickel plated MS (SS 304 as per Customer Requirement)
Packing	Corrugated as per Customer Requirement



Beam Angle	40°, 60°
Reflector Dia & Type	75mm k Darkoo Type
COB Holder	1818, 1919, 2024, 2525
Suitable for Watage	36W To 40W
Thermal tested report	68°C for 40W