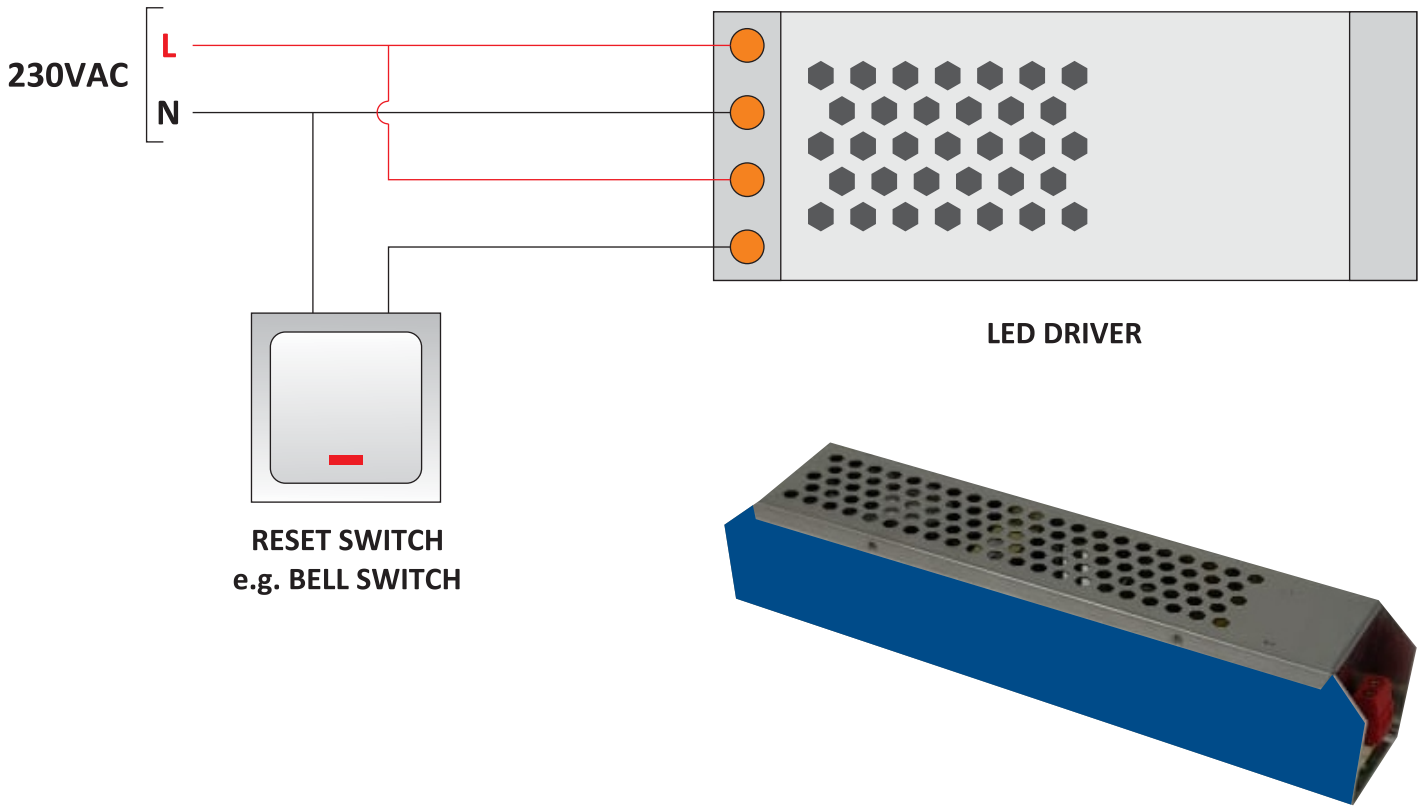


Switch Dimable Power Supply ( Wattage available 60W, 5A & 120W, 10A )



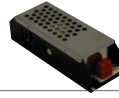
## 12V SMPS Driver

### Features

- Universal AC Input / Full Range
- Protections : Short circuit /Overload /Over voltage
- Cooling by free air convection/ Aluminium & Encloser
- Isolation class II
- LED indicator for power on
- No laod power consumption <0.5w
- 100% full load burn-in test
- 1 Year Warranty



## Technical Parameters



	HV 12-2	HV 12-3	HV 12-4	HV 12-5
OUTPUT	DC VOLTAGE	12V	12V	12V
	RATED CURRENT	2A	3A	4A
	CURRENT RANGE	0-2A	0-3A	0-4A
	RATED POWER	24W	36W	48W
	RIPPLE & NOISE (Max.)	90mVp-p	100mVp-p	100mVp-p
	VOLTAGE TOLERANCE	± 1.5%	± 1.0%	± 1.0%
	LINE REGULATION	± 1.5%	± 1.5%	± 1.5%
	LOAD REGULATION	± 1.0%	± 1.0%	± 1.0%
	SETUP, RISE TIME	100ms, 50ms / 230 V AC	100ms, 50ms / 230 V AC	100ms, 50ms / 230 V AC

INPUT	VOLTAGE RANGE	85-264 V AC	85-264 V AC	85-264 V AC	85-264 V AC
	FREQUENCY RANGE	47-63Hz	47-63Hz	47-63Hz	47-63Hz
	EFFICIENCY (Typ.)	88%	86%	86%	86%
	AC CURRENT (Typ.)	0.1A/230 V AC	0.16A/230 V AC	0.2A/230 V AC	0.26A/230 V AC
	INRUSH CURRENT (Typ.)	COLD START 30A/230VAC	COLD START 30A/230VAC	COLD START 30A/230VAC	COLD START 30A/230VAC



	HV 12-6.5	HV 12-8	HV 12-10	HV 12-12
OUTPUT	DC VOLTAGE	12V	12V	12V
	RATED CURRENT	6.5A	8A	10A
	CURRENT RANGE	0-6.5A	0-8A	0-10A
	RATED POWER	80W	100W	180W
	RIPPLE & NOISE (Max.)	120mVp-p	150mVp-p	100mVp-p
	VOLTAGE TOLERANCE	± 1.5%	± 1.0%	± 1.0%
	LINE REGULATION	± 1.5%	± 1.5%	± 1.5%
	LOAD REGULATION	± 1.0%	± 1.0%	± 1.0%
	SETUP, RISE TIME	100ms, 50ms / 230 V AC	100ms, 50ms / 230 V AC	100ms, 50ms / 230 V AC

INPUT	VOLTAGE RANGE	85-264 V AC	85-264 V AC	85-264 V AC	85-264 V AC
	FREQUENCY RANGE	47-63Hz	47-63Hz	47-63Hz	47-63Hz
	EFFICIENCY (Typ.)	86%	85%	56%	85%
	AC CURRENT (Typ.)	0.35A/230 V AC	0.45A/230 V AC	0.55A/230 V AC	0.65A/230 V AC
	INRUSH CURRENT (Typ.)	COLD START 30A/230VAC	COLD START 30A/230VAC	COLD START 30A/230VAC	COLD START 30A/230VAC

PROTECTION	OVERLOAD	105-125% Rated Output Power Protection type : short circuit, overload & Surge protection
	FLICKERFREE OVER WATTAGE	protection type : When over load the power supply maintain wattage depened upon it's rated amp on SMPS Result: SMPS never flip flop (on-off) when power supply is overload

WORKING TEMP.	~20- 60 C (Refer to "Derating Curve")
WORKING HUMIDITY	20-90% RH non-condensing